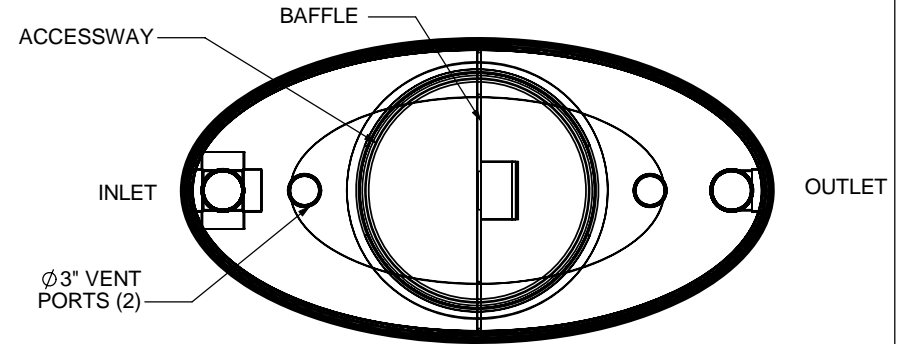
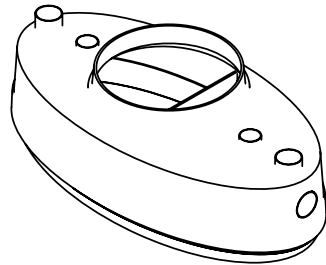


**NOTES:**

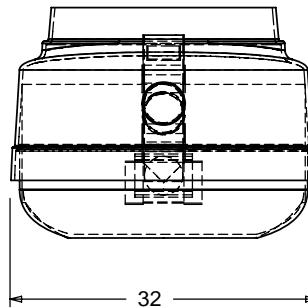
1. FOR GRAVITY APPLICATIONS ONLY.
2. ALL PROCEPTOR UNITS ARE MANUFACTURED WITH FIBERGLASS REINFORCED PLASTICS. PHYSICAL CHARACTERISTICS AND THICKNESS: POLYESTER RESIN AND E GLASS. MINIMUM THICKNESS 1/4" WALL AND 3/8" TOP AND BOTTOM BOWLS. MINIMUM BURIAL DEPTH = 20" FOR NON TRAFFIC RATED AND MINIMUM BURIAL DEPTH = 44" FOR TRAFFIC RATED. MAXIMUM BURIAL DEPTH = 6 FT 8 IN. (GRADE TO INVERT OF INLET) FOR DEEPER INSTALLATIONS. CALL GREEN TURTLE FOR CUSTOM REINFORCEMENT.
3. ALL PROCEPTOR UNITS ARE TO BE INSTALLED IN ACCORDANCE WITH THE MANUFACTURERS INSTALLATION INSTRUCTION.
4. STANDARD PIPE STUBS ARE SOCKET SDR 35 PVC SEWER MATERIAL (SCHEDULE 40 ADAPTORS ADDED FOR ALL PROJECTS IN USA).
5. GMC/OMC/SMC 50 - 300 UNITS COME STANDARD WITH 4" INLET AND OUTLET (OTHER CUSTOM SIZES AVAILABLE AT EXTRA CHARGE).
6. EXTENSION COLLAR TO BE ORDERED TO MEET FINISHED GRADE, CUT ON SITE FOR FINAL ADJUSTMENT AND CAULKED WITH SIKAFLEX BY CONTRACTOR FOR WATERTIGHT SEAL.
7. COVERS AVAILABLE FOR H2O TRAFFIC LOADING. PEDESTRIAN LOADING OR ABOVE GROUND INSTALLATION.
8. CONSULT GREEN TURTLE FOR OTHER SIZES.
9. ALL PROCEPTOR UNITS ARE FACTORY TESTED.
10. 30 YEAR WARRANTY AGAINST LEAKS, AND STRUCTURAL FAILURE.
11. U.S. PATENT #5,746,912; CDN PATENT #2,195,822



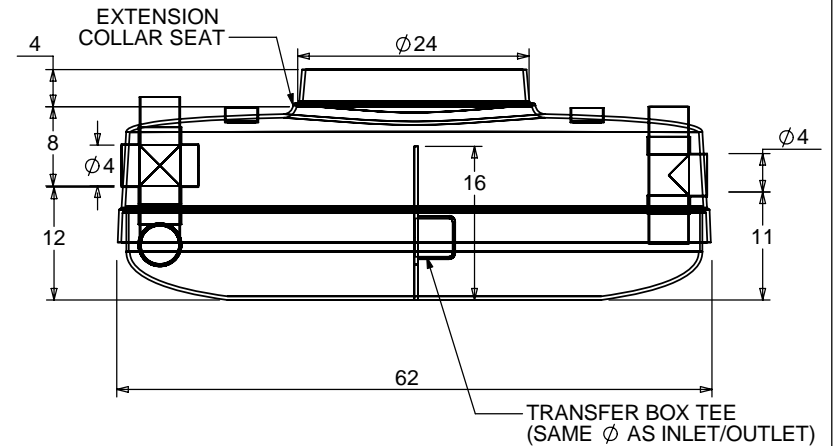
TOP VIEW



ISOMETRIC VIEW



SIDE VIEW



FRONT VIEW

TOTAL WET VOLUME: 50 GAL  
 MAX. OIL CAPACITY: 12 GAL  
 MAX SOLIDS CAPACITY: 11 GAL

CONSULT LOCAL AUTHORITIES FOR MINIMUM SIZE OF SEPARATORS

TITLE: PROCEPTOR OIL SEPARATOR  
 OMC 50 GALLON INTERCEPTOR  
 4 IN INLET & OUTLET  
 24" ACCESSWAY  
 ALL DIMENSIONS IN INCHES

PROJECT: WO:

- ✓ OPTIONS:
- OIL SENSOR ALARM
  - COALESCER FOR OIL REMOVAL
  - ABOVE GROUND CONFIGURATION
  - SUCTION PIPE FOR INDOOR INSTALLATION
  - DOUBLE WALL CONSTRUCTION

REV	DATE	DRAWN
1		
2		
3	1/2005	F. CHANDLER
4	OCTOBER 27, 2006	L. SIMKINS
5	JANUARY 4, 2007	L. SIMKINS
6		
7		
8		
9		
10		

DRAWN BY: F CHANDLER  
 DRAWN DATE 9/14/04

**Proceptor**<sup>®</sup>  
 by greenturtle<sup>®</sup>  
 US 877 428 8187 CAN 877 966 9444  
 www.greenturtletech.com

SIZE	DWG. NO.	REV.
A	OMC 50	5

SCALE: 1:20 DO NOT SCALE DRAWING SHEET 1 OF 1