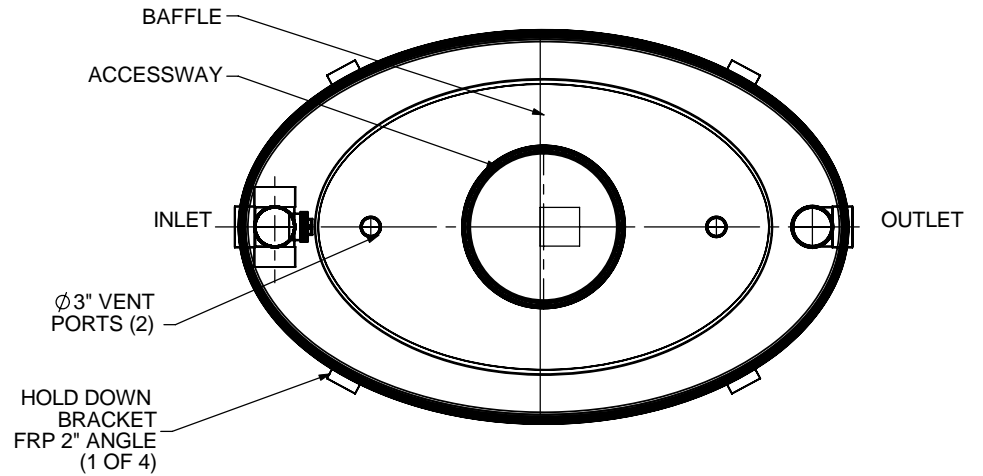
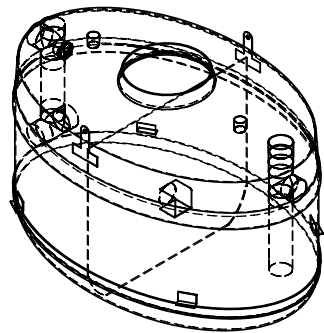


NOTES:

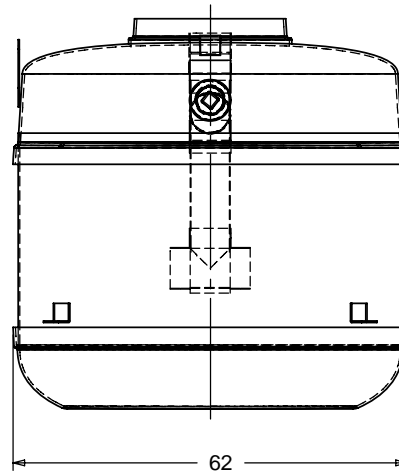
- FOR GRAVITY APPLICATIONS ONLY.
- ALL PROCEPTOR UNITS ARE MANUFACTURED WITH FIBERGLASS REINFORCED PLASTICS. PHYSICAL CHARACTERISTICS AND THICKNESS: POLYESTER RESIN AND E GLASS. MINIMUM THICKNESS 1/4" WALL AND 3/8" TOP AND BOTTOM BOWLS.
- ALL PROCEPTOR UNITS ARE TO BE INSTALLED IN ACCORDANCE WITH THE MANUFACTURERS INSTALLATION INSTRUCTION.
- STANDARD PIPE STUBS ARE SOCKET SDR 35 PVC SEWER MATERIAL (SCHEDULE 40 ADAPTORS ADDED FOR ALL PROJECTS IN USA).
- GMC/OMC 500 - 3000 UNITS COME STANDARD WITH 6" INLET AND OUTLET (OTHER CUSTOM SIZES AVAILABLE AT EXTRA CHARGE).
- EXTENSION COLLAR TO BE ORDERED TO MEET FINISHED GRADE, CUT ON SITE FOR FINAL ADJUSTMENT AND CAULKED WITH SIKAFLEX BY CONTRACTOR FOR WATERTIGHT SEAL.
- COVERS AVAILABLE FOR H2O TRAFFIC LOADING. PEDESTRIAN LOADING OR ABOVE GROUND INSTALLATION.
- CONSULT GREEN TURTLE FOR OTHER SIZES.
- 30 YEAR WARRANTY AGAINST LEAKS, AND STRUCTURAL FAILURE.
- U.S. PATENT #5,746,912; CDN PATENT #2,195,822



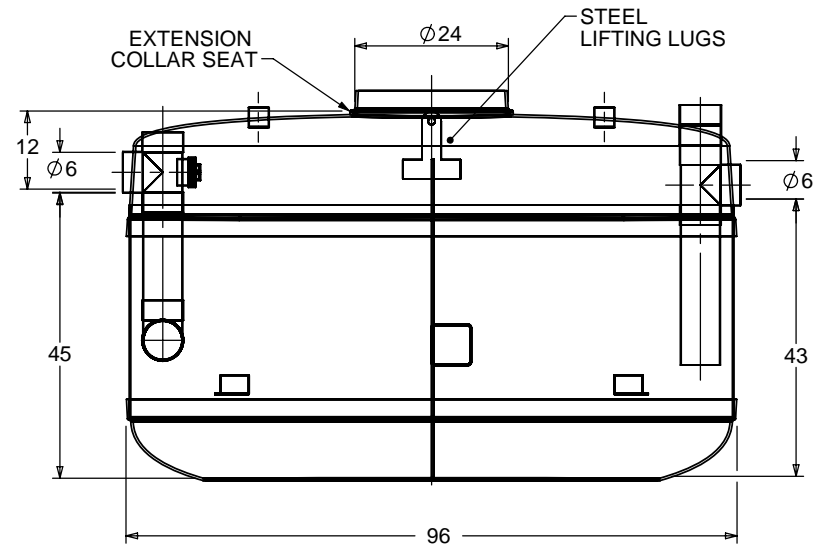
TOP VIEW



ISOMETRIC VIEW



SIDE VIEW



FRONT VIEW

TOTAL WET VOLUME: 750 GAL
 MAX. OIL CAPACITY: 410 GAL
 MAX SOLIDS CAPACITY: 200 GAL

CONSULT LOCAL AUTHORITIES FOR MINIMUM SIZE OF SEPARATORS

TITLE: PROCEPTOR OIL SEPARATOR		REV	DATE	DRAWN
OMC 750	GALLON INTERCEPTOR	1		
6" INLET & OUTLET		2		
24" ACCESSWAY		3		
ALL DIMENSIONS IN INCHES		4	JANUARY 4, 2007	L. SIMKINS
PROJECT:	WO:	5	NOVEMBER 10, 2009	L. SIMKINS
✓ OPTIONS:		6		
OIL SENSOR ALARM		7		
COALESCER FOR OIL REMOVAL		8		
OIL RESERVOIR FOR OIL STORAGE		9		
SUCTION PIPE FOR INDOOR INSTALLATION		10		
DOUBLE WALL CONSTRUCTION		DRAWN BY: F CHANDLER		
		DRAWN DATE 10/5/04		

Proceptor[®]
 by **greenturtle**[®]
 US 877 428 8187 CAN 877 966 9444
www.greenturtletech.com

SIZE	DWG. NO.	REV.
A	OMC 750	5
SCALE:1:30	DO NOT SCALE DRAWING	SHEET 1 OF 1