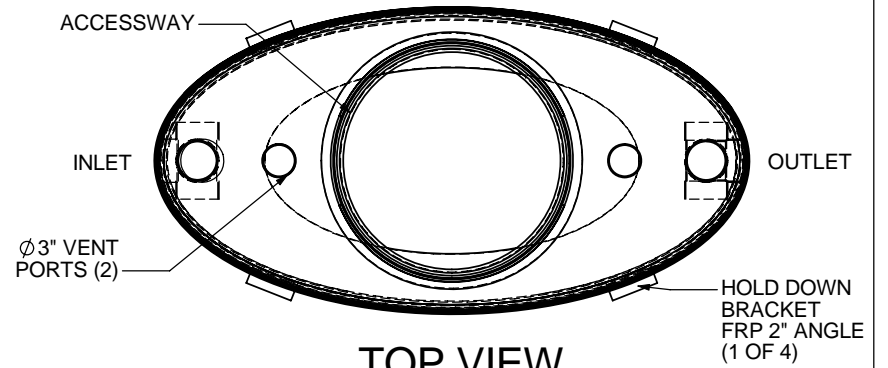
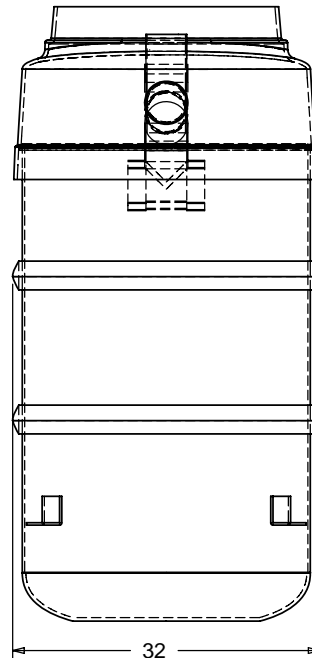


NOTES:

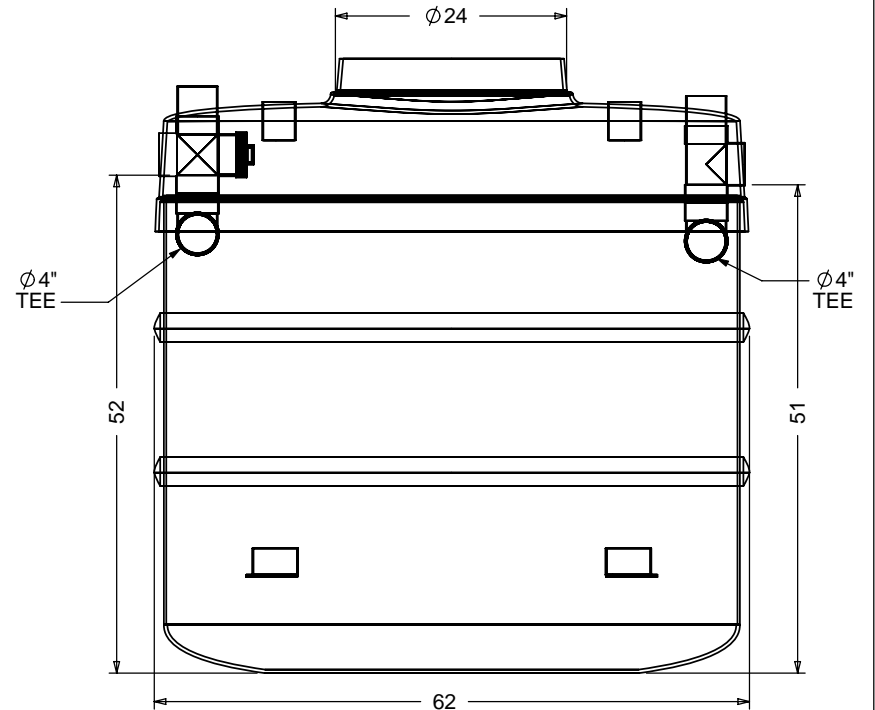
1. FOR GRAVITY APPLICATIONS ONLY.
2. ALL UNITS ARE MANUFACTURED WITH FIBERGLASS REINFORCED PLASTICS. PHYSICAL CHARACTERISTICS AND THICKNESS: POLYESTER RESIN AND E GLASS MINIMUM THICKNESS 1/4" WALL AND 3/8" TOP AND BOTTOM BOWLS. MINIMUM BURIAL DEPTH = 18" FOR NON TRAFFIC RATED AND MINIMUM BURIAL DEPTH = 30" FOR TRAFFIC RATED MAXIMUM BURIAL DEPTH = 6 FT 8 IN. (GRADE TO INVERT OF INLET) FOR DEEPER INSTALLATIONS CALL GREEN TURTLE FOR CUSTOM REINFORCEMENT.
3. ALL UNITS ARE TO BE INSTALLED IN ACCORDANCE WITH THE MANUFACTURERS INSTALLATION INSTRUCTION.
4. STANDARD PIPE STUBS ARE SOCKET SDR 35 PVC SEWER MATERIAL (SCHEDULE 40 ADAPTORS ADDED FOR ALL PROJECTS IN USA).
5. SMC 50 - 300 UNITS COME STANDARD WITH 4" INLET (OTHER CUSTOM SIZES AVAILABLE AT EXTRA CHARGE).
6. EXTENSION COLLAR TO BE ORDERED TO MEET FINISHED GRADE. CUT ON SITE FOR FINAL ADJUSTMENT AND CAULKED WITH SIKAFLEX BY CONTRACTOR IF WATERTIGHT SEAL REQUIRED.
7. COVERS AVAILABLE FOR H2O TRAFFIC LOADING. PEDESTRIAN LOADING OR ABOVE GROUND INSTALLATION.
8. CONSULT GREEN TURTLE FOR OTHER SIZES.
9. ALL UNITS ARE FACTORY TESTED.
10. 30 YEAR WARRANTY AGAINST LEAKS, AND STRUCTURAL FAILURE.




TOP VIEW



SIDE VIEW



FRONT VIEW

TITLE: SOLIDS INTERCEPTOR		REV	DATE	DRAWN	 <p>877 428 8187 US 877 966 9444 CAN www.greenturtletech.com</p>
SMC 300 USG FIBERGLASS TANK		1			
4" INLET		2			
24" ACCESSWAY		3			
ALL DIMENSIONS IN INCHES		4			
PROJECT: WO:		5			
<input checked="" type="checkbox"/> OPTIONS: HIGH LEVEL SENSOR		6			
		7			
		8			
		9			
		10			
		DRAWN BY: L. SIMKINS		SIZE A DWG. NO. SMC 300	REV.
		DRAWN DATE: APRIL 22, 2008		SCALE:1:20 DO NOT SCALE DRAWING	SHEET 1 OF 1